

MOVER 190eb EVO / 270e

Pneumatic conveyor for screeds

50 Hz

50 Hz

Mover 270e 400V/50Hz Tph 5.5 kW
1106011

Mover 190eb EVO 230V/50Hz Sph 2.95 kW complete with loading bucket
1106210



Mover 270eb 400V/50Hz Tph 7 kW complete with loading bucket
1106010

60 Hz

Mover 270eb Installed power - 230V/60Hz Tph 7kW
1106067



Mover 270eb Installed power - 400V/60Hz Tph 7kW
1106068



Simple and intuitive controls for the operator:

- A single lever for distributing the air flow to simplify the initial setting operations
- The grease nipples of the mixer supports are centralized to the operator's sight



Minimal wear and simple maintenance thanks to:

- Hardox® steel armor plates and wear-resistant cast iron blades
- Mechanical and electrical components protected under metal covers and easily accessible

Description

The Mover 190eb EVO / 270e are pneumatically operated pumps, capable of mixing and conveying the material at high distances and considerable heights through a pipe. The powerful horizontal axis mixer with direct transmission (without belts) also mixes particular products rich in fibers.

Light and easy to handle, easy to use and transport, they are at the same time robust and particularly resistant to wear. The machines are ideal in all those cases where you have a compressor to match.

They are suitable for pumping:

- Traditional sand / cement screed (also with fiber)
- Premixed cement screed (also with fibers)
- Screed lightened with expanded clay / sand / cement
- Lightened screed pre-dosed with expanded clay
- Screed lightened with cork / sand / cement
- Lightened premixed screed with polystyrene
- Lightened premixed cement screed
- Concrete with a maximum grain of 16 mm
- Dry sand
- Washed gravel with a maximum grain of 16 mm
- Draining soil for gardens

Operation

The Mover 190eb EVO / 270e pneumatic pumps must be connected to the power line and to a compressor with the following requirements:

Mover 190eb EVO Minimum flow 2500 l / min (88.3 cfm), Pressure 7 bar (101.5 psi)

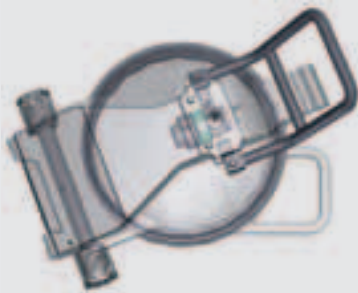
Mover 270e Minimum flow rate 3500 l / min (123.6 cfm), Pressure 7 bar (101.5 psi)

All dry material is poured into the loading bucket manually or through the scraper blade (optional). In the version without loading bucket, the dry material is poured directly into the barrel manually. The bucket is raised hydraulically by the double acting piston until it reaches the maximum inclination of 65°. The material descends into the barrel where the powerful mixer (already in operation) begins its action. About halfway through the loading of the material, the water is added manually inside the barrel. When loading is complete, without waiting times, the hatch is closed and the barrel is pressurized by pressing the "Automatic cycle" button on the control panel. The air flow forcefully conveys the material through the hoses until it reaches the end point where the flow breaker stand is installed. When the barrel is empty, the air flow stops automatically and the machine is ready for a new loading.

The powerful horizontal axis mixer also homogeneously mixes particularly difficult and / or fiber-rich products. For those particular materials that require a longer mixing time, it is possible to set a time of your choice, which will delay the emptying phase after pressing the "Automatic cycle" button. The hoses at the end of the cycle always remain empty. This simplifies washing operations at the end of the day. It will be enough to clean the barrel with water and pump the appropriate sponge ball into the hoses.

Mover 190eb EVO / 270e are equipped with safety devices and reversal of the direction of rotation of the mixer, useful in case of accidental blocking of the mixer or clogging of the hose to facilitate release. With the help of additional compressors and special accessories they can reach high distances and pumping heights.

Available in different arrangements to meet the various needs of the construction site.



Cast iron hatch with:

- Lightening springs during opening.
- Barrel "Safety vent" valve incorporated.
- Self-compensating gasket (patented).



The mixer includes a blocking sensor which detects the opening of the protection grid. Positioned under the covers, the sensor protects the user from accidents, and dust.

Technical data

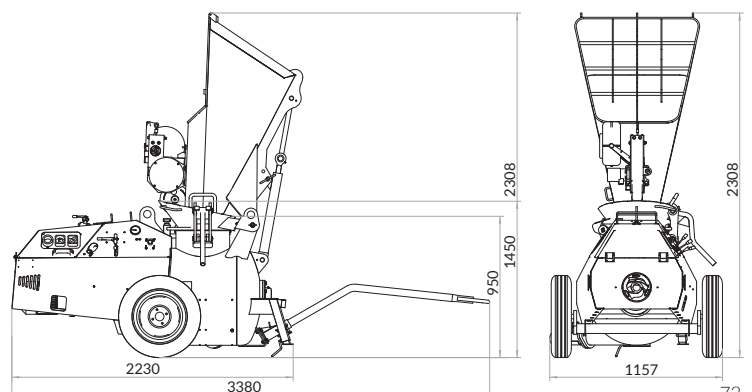
		Mover 190eb EVO	Mover 270e	Mover 270eb
Loading bucket	-	yes	no	yes
Mixer motor power	kW	2.2	5.5	5.5
Hydraulic power unit motor	kW	0.75	-	1.5
Max transportable grain size	mm	16	16	16
Tank capacity	l	270	270	270
Average cycle yield	l	160	220	220
Hourly output*	mc/h	2-4.5	3-6	3-6
Pumping height*	m	80	80	80
Pumping distance*	m	150	200	200
Loading height	mm	350	950	350
Dim. w / l / h with bucket raised*	mm	1157/2230/2308	1157/2230/1450	1157/2230/2308
Weight**	kg	750	630	750
Sound pressure level	dB (A)	< 57	< 57	< 57

(*) The data on distance, height and hourly yield are indicative values, variable depending on the consistency of the materials and the loading efficiency of the machine and on the chosen configuration.

(**) For dimensions and weight of the packed machine, see table on page 77

Standard Equipment

Certified pressure barrel
Loading bucket with hydraulic power unit (Mover 190 / 270eb)
20 + 10 m Ø 60 mm material hose with camlock coupling (Mover 190eb EVO / 190eb)
20 + 10 + 10 m Ø 60 mm material hose with camlock coupling (Mover 270e / 270eb)
Flow breaker stand with Ø 60 mm camlock coupling
Ø 60 mm material outlet manifold with camlock coupling
Manual greasing pump
20 m power cable
Box with cleaning and maintenance accessories
Metal hose holder and 2 hoses holder bands



Accessories for customized setups **MOVER 190eb EVO / 270e**

➔ Recommended (bucket version only) to speed up loading operations

1107057



Cable coiler and scraping shovel
Mover 190/270eb

➔ Recommended for automatic and continuous lubrication of the mixer shaft supports

1107169



Automatic lubrication system

➔ Recommended for pumping at long distances and high heights with the help of additional compressors

1107599



Camlock Y support for additional air injection

Ø 60 hoses extension complete of camlock coupling with grafting to rubber hose in highly wear-resistant hardened steel (IMER Standard)

1107535



10 m material hose Ø 60 with camlock coupling

1107536

20 m material hose Ø 60 with camlock coupling

Washing sponge for material hoses

1107522



Kit of 10 washing sponge for Ø 60 hoses

Consumable accessories **MOVER 190/270e/eb/WT**

1107061



Mixing paddle kit for Mover 190eb EVO

1107059



Wear plate kit for Mover 190 e

1107062



Mixing paddle kit for Mover 270 e/d, 190eb EVO, 270d EVO

1107212



Wear plate kit for Mover 270 e/d EVO, 190eb EVO

