

STANDARD EQUIPMENT

- Automatic outriggers levelling with electronic inclinometer
- Outrigger pads (Ø 200 mm)
- Emergency hand pump
- Cylinder holding valve
- Electronic hour meter
- Load cell
- Hydraulic Jib
- Rubber tracks
- Hydraulically adjustable tracks width
- 230V - 16 A electro-pump for indoor use
- Air / Water outlet in the platform
- 230V - 16 A outlet in the platform
- Honda GX390 petrol engine - 11 HP 3600 rpm
Yanmar L100N diesel engine - 9.9 HP 3600 rpm
- Removable wired control box (5 m cable)

OPTIONALS

- 12V emergency electro-pump
- Double speed traction
- Non-marking rubber tracks
- Oversized outrigger pads (Ø 350 mm)
- Wireless radio-control box
- Working light in the platform
- Aluminium basket (0.90 x 0.70 x 1.10 m)

BENEFITS

- ✓ Double articulation boom with active jib for a high operability in all construction site conditions.
- ✓ Hydraulically adjustable tracks width: more stability and traction to move around the building site or rough terrain.
- ✓ State-of-the-art removable control panel: fast and versatile use of the machine.
- ✓ Proportional and simultaneous electro-hydraulic controls: efficiency and safety for operators.
- ✓ Automatic outriggers levelling: maximum easiness of use and safety.
- ✓ Permanent weight control device for improved safety and performance.
- ✓ Slewing 360° (not continuous): outstanding aerial accessibility in any work situation.
- ✓ Basket rotation ± 62°: complete placement on working site in any condition.
- ✓ Compact size, with limited overall outrigger footprint.
- ✓ Engine guarded for safety and working protection.
- ✓ Aluminium basket 1.40 x 0.70 x 1.10 m.
- ✓ Innovative design with fully enclosed structure.





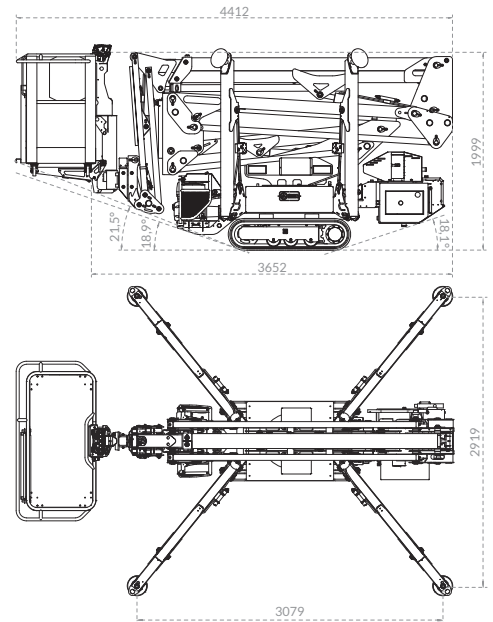
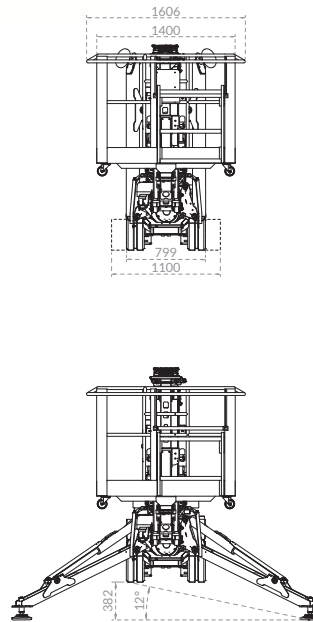
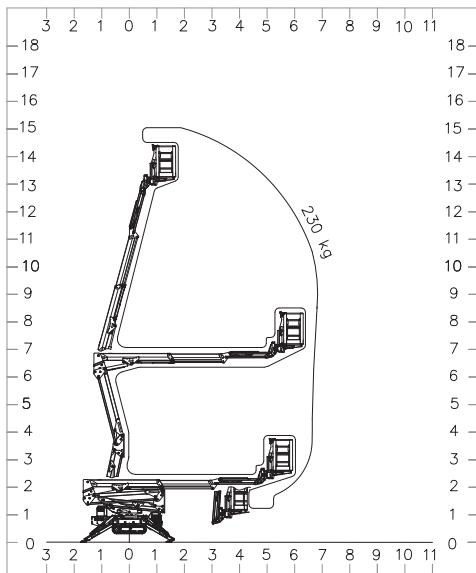
m 7.00



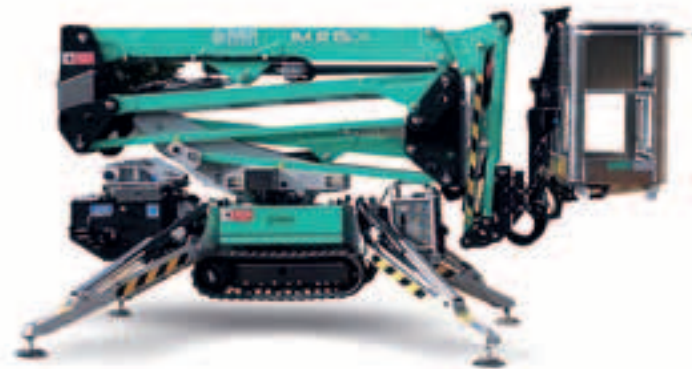
Compact jib group with load cell and basket rotation system.



Strong protective engine structure for an increased impact protection.



IMR 15 DA		
Working height	m	15.10
Platform height	m	13.10
Side outreach	m/kg	7.00 / 230
Up & Over	m	7.00
Slewing	(°)	360° (± 180°)
Basket dimensions	m	1.40 x 0.70 x 1.10
Overall outrigger footprint	m	2.92 x 3.08
Driving speed	km/h	1.8
Gradeability	(°)	17.5°
Max load capacity	kg	230
Electric motor		230V / 2.2 kW
Petrol engine Honda GX390		11 HP 3600 rpm
Diesel engine Yanmar L100N		9.9 HP 3600 rpm
Transport length (without basket)	m	4.40 (3.65)
Transport width	m	Min 0.79 / Max 1.10
Transport height	m	1.99
Total weight	kg	2030



Compact dimensions for maximum accessibility into any work environment.